

Vmic Pro

Super Directional Video Condenser Microphone For DSLR Cameras and Video Cameras

1 Product Introduction

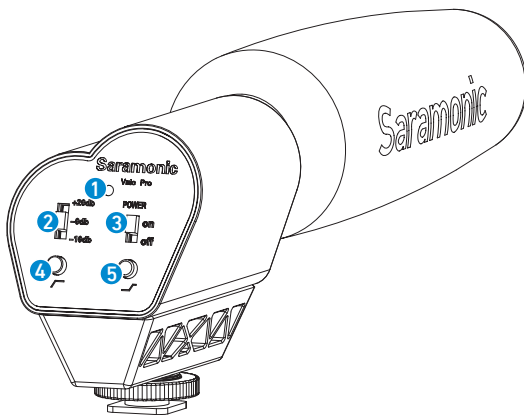
1.1 General Introductions

The Saramonic Vmic Pro is a super directional video condenser microphone that provides professional audio for DSLR cameras and camcorders. The Vmic Pro allows you to adjust level control (-10dB, 0dB, +20dB), high-pass filter (150 Hz) and high-frequency boost (+6dB) to increase intelligibility of dialogue. The detachable 3.5mm cable connects the Vmic Pro to your camera's audio input, while the stereo headphone output allows you to monitor the incoming audio. The Saramonic special designed shock mount system provides isolation from vibration and mechanical noise.

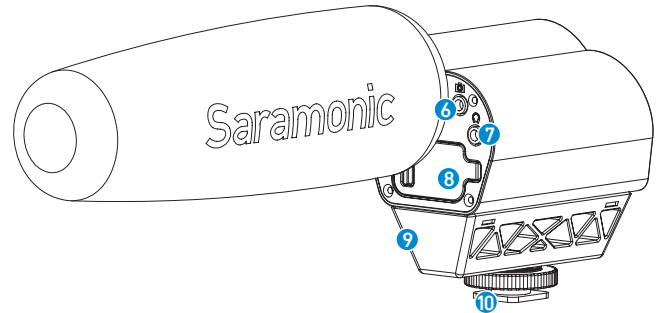
1.2 Highlights

- Super directional video microphone
- Integrated shock mount system
- High pass filter (150 Hz)
- High frequency boost (+6dB)
- Three position level control (-10dB, 0dB, +20dB)
- Headphone monitor output
- 1/8" audio output to camera
- LED power on/low battery indicator
- Pop shield included
- Lightweight all-metal construction
- Powered by two AA batteries

1.3 Product Structure



- 1 LED indicator
- 2 Three position level control (-10dB, 0dB, +20dB)
- 3 Power button
- 4 High-pass filter (150Hz)
- 5 High frequency boost (+6dB)

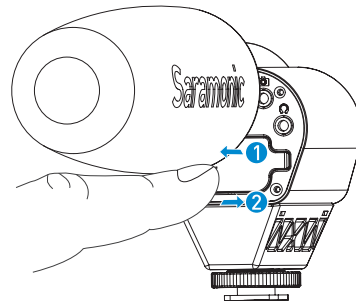


- 6 Audio output jack
- 7 Headphone output
- 8 Battery compartment
- 9 Integrated shock mount
- 10 Cold shoe

2 Set Up Guide

2.1 Install the battery

- 1 Lock the battery compartment
- 2 Unlock the battery compartment



Insert the AA batteries into place aligning + and - polarity as shown.

www.saramonic.com

The Saramonic logo is trademark which is registered and owned by Saramonic International.

COPYRIGHT 2011-2021 SARAMONIC INTERNATIONAL

A brand of DSQN

Email: info@saramonic.com

 CE RoHS

Vmic Pro

Super Directional Video Condenser Microphone For DSLR Cameras and Video Cameras

2.2 Attach the Vmic Pro to the hot shoe of your camera or camcorder. Connect the supplied audio transmission line from the audio output of Vmic Pro to the MIC input of the camera or camcorder.

2.3 Turn on your camera and long press the power button to turn the Vmic Pro on, the LED indicator will turn green. When the battery power is low, the LED indicator will turn red.

2.4 Adjust the level control according to your needs. The -10dB level: ideal for recording loud sound sources, such as live music, motorsport, or interviews where the subject is very close to the camera.

The +20dB level boost: For use with DSLR cameras, allowing the user to reduce the camera's preamp level (or mic-input level), effectively reducing the amount of noise generated by the camera's comparatively low quality audio circuitry.

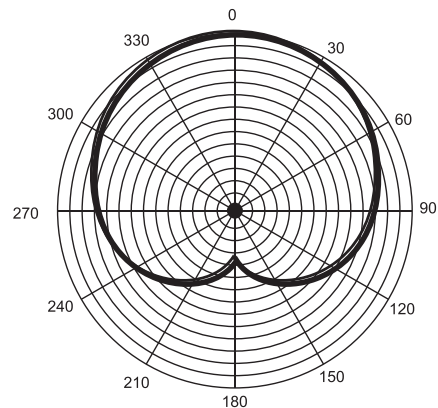
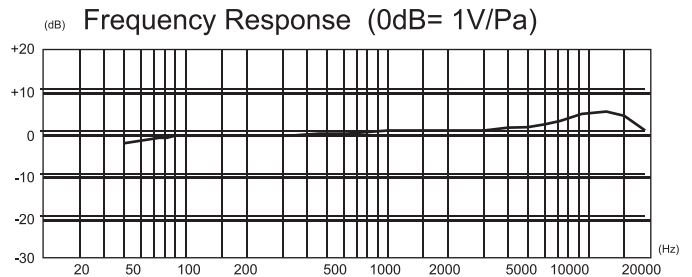
2.5 Plug a headphone to the headphone output of the Vmic Pro, then you can monitor the audio.

We suggest you could do a test recording and playback the audio to see if it is acceptable.

3. Specification

Type	Condenser Microphone
Polar Pattern	Super Directional
Frequency Response	20HZ---20KHZ
Sensitivity	-30±3dB(0dB=1V/Pa,at 1kHz)
Signal to Noise Ratio	75dB or more
Output Impedance	2000hm or less
Power	Two AA batteries
Plug	Mini-pin plug (3.5mm)
Filter	High-pass filter (150Hz)
Dimensions(LxHxD)	253 x 69.4 x 98.4 mm
Net Weight	270g (9.5 oz.)

Frequency Response



www.saramonic.com

The Saramonic logo is trademark which is registered and owned by Saramonic International.

COPYRIGHT 2011-2021 SARAMONIC INTERNATIONAL

A brand of DSQN

Email: info@saramonic.com

 **CE RoHS**